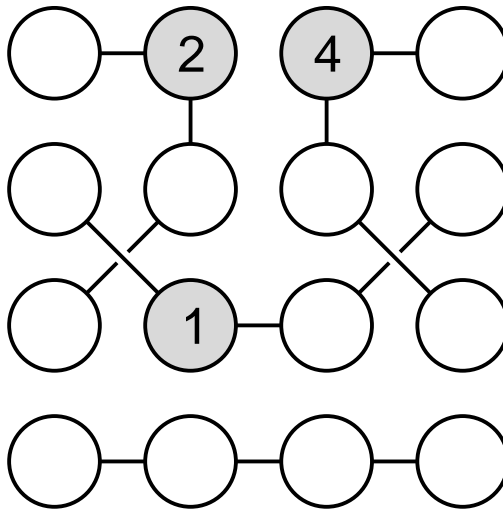


your streamy logic

Easy Strimko 170



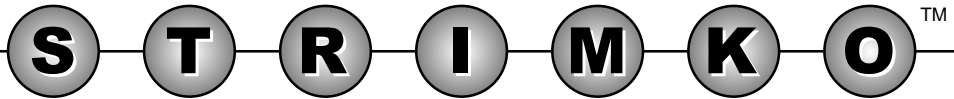
Made specially for Puzzles.COM **Puzzles.COM**

Posted: July 2012

more STRIMKO at www.strimko.com

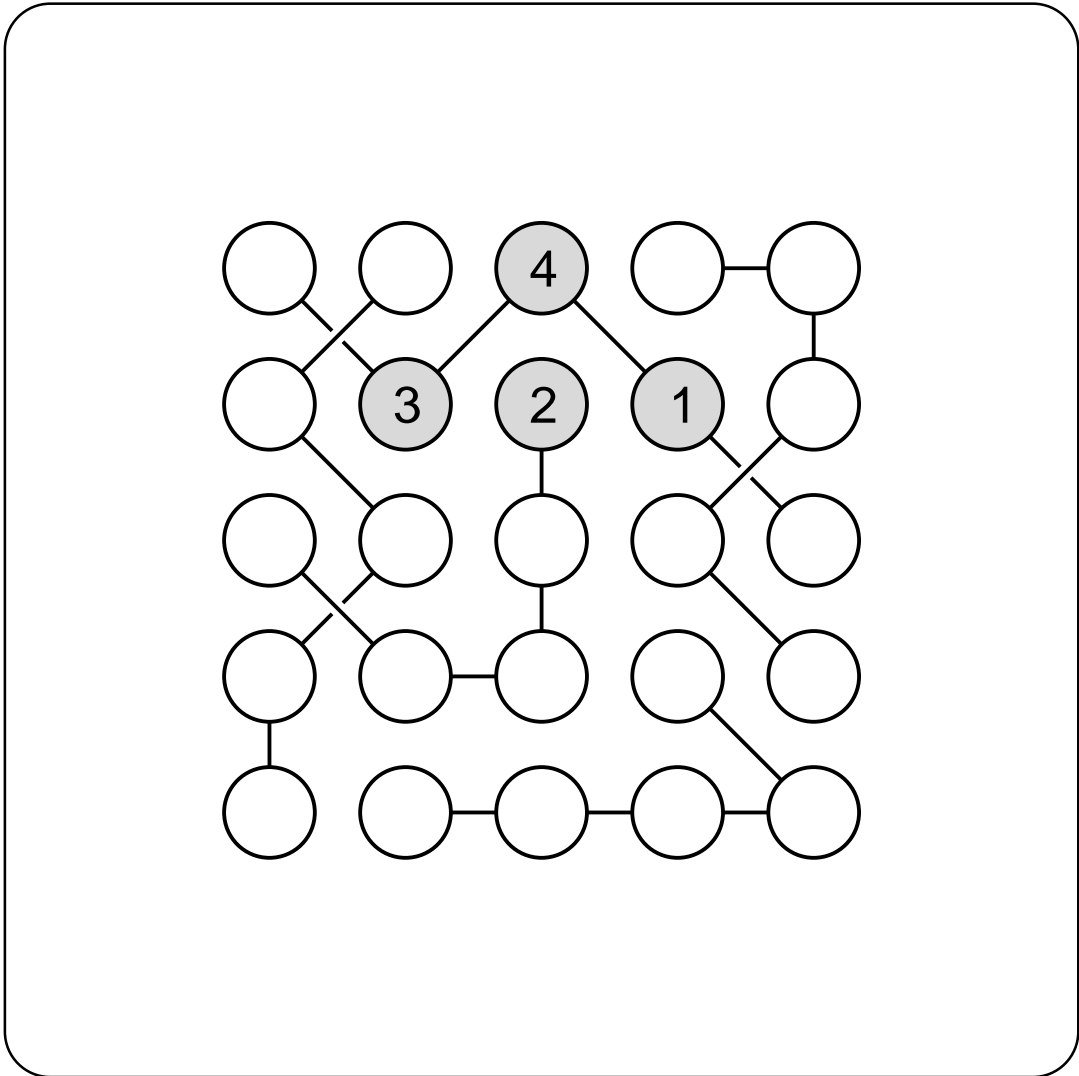
© The Grabarchuk Family. All Rights Reserved.

Permission is granted for personal use only. This puzzle may not be duplicated for any kind of profit.



your streamy logic

Medium Strimko 170



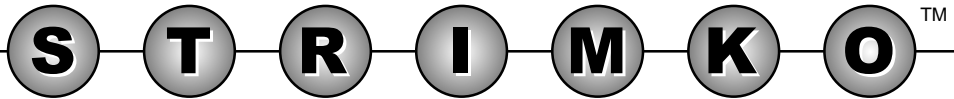
Made specially for Puzzles.COM **Puzzles.COM**

Posted: July 2012

more STRIMKO at www.strimko.com

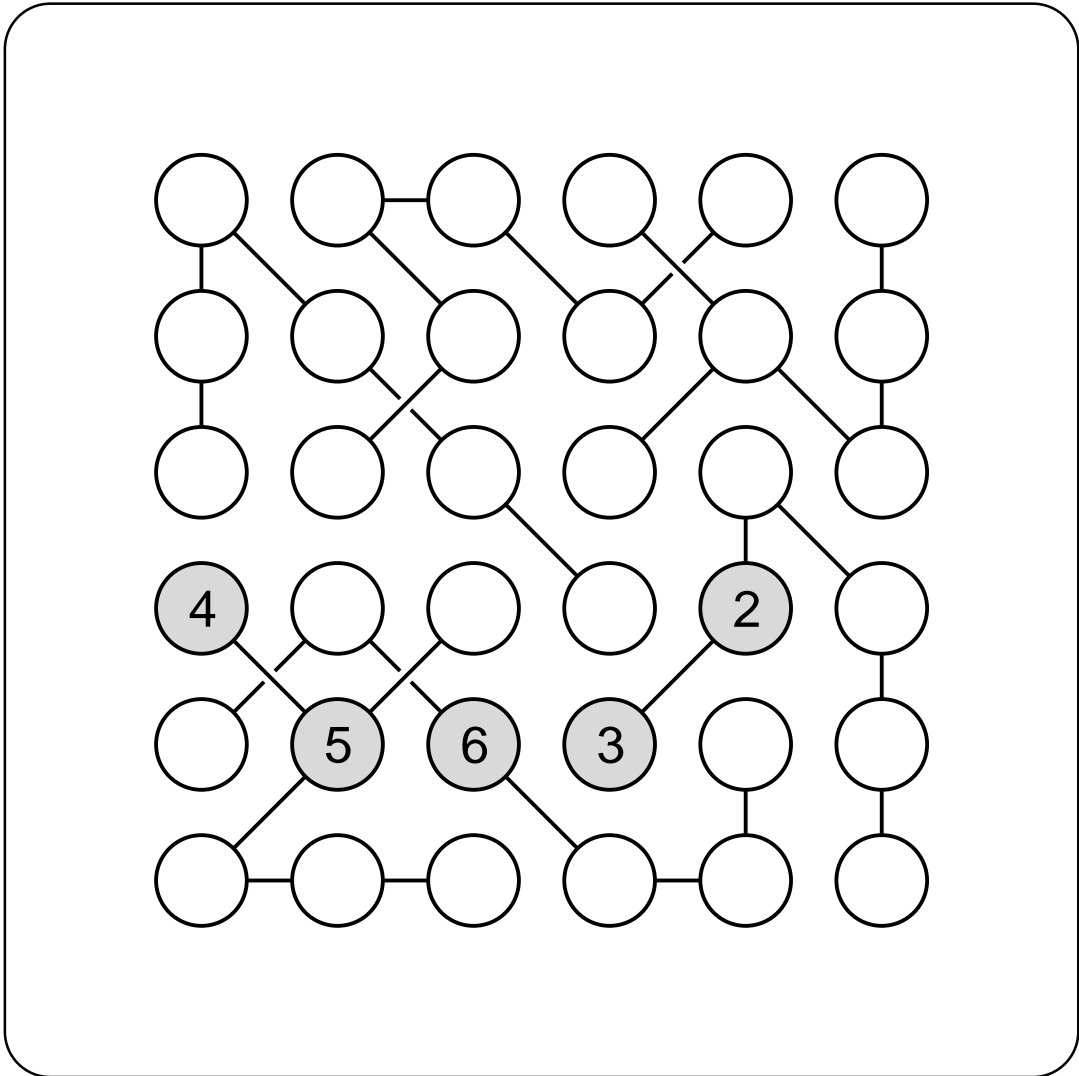
© The Grabarchuk Family. All Rights Reserved.

Permission is granted for personal use only. This puzzle may not be duplicated for any kind of profit.



your streamy logic

Hard Strimko 170



Made specially for Puzzles.COM **Puzzles.COM**

Posted: July 2012

more STRIMKO at www.strimko.com

© The Grabarchuk Family. All Rights Reserved.

Permission is granted for personal use only. This puzzle may not be duplicated for any kind of profit.